



VTX-240



MB Sprinter (4325 WB)

3.5t
GVW

Up & Over
REACH

FPC
CONTROLS

H
OUTRIGGERS
EXTENDABLE



Team

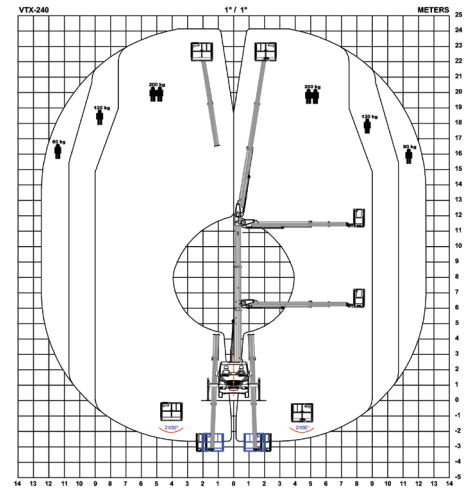
TIME

VTX-240

SPECIFICATIONS

	STANDARD
Working height	24,2 m
Platform height	22,2 m
Max Outreach <small>at a 0° slope</small>	12,5 / 10,7 / 9,0 m*
Max Cage capacity	80 / 120 / 200 kg
Flyboom	No
GVW	3500 kg
Max slope	1/1°

SCAN QR CODE



Reach at 80 / 120 / 200 kg cage load 0°

STANDARD

Extendable H-frame outriggers (2 pairs)
 2 man Alu cage (with door, flash and electrical outlet)
 Lift rotation: 420°. Cage rotation: 2 x 90°
 Emergency hand pump
 OLS: Outreach Load sensing System

OPTIONS

Footplates for outriggers
 LED flash (front and rear)
 Safety stripes (red/white)

IMAGES



Perfectly vertical lower boom and horizontal upper boom**



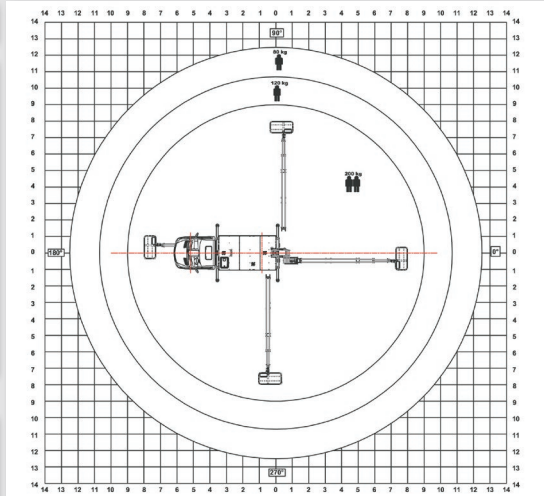
Ability to work below ground level (-3,3 meters)



Extendable H-frame outriggers



Cage rotator: 2 x 90°



Reach at 80 / 120 / 200 kg cage load 90°



6 cm ground clearance below the end mounted cage



FPC: Full proportional CANbus controls with display



2 x 3 stage telescopic booms with patented 90° moveable knuckle in between

NOTE

* Depending on the vehicle

** 'Up and over' reach of 11 metres up and 12.5 metres out (80 kg cage load)

VTX-240/C550/MB Sprinter/2015-01/UK

Team

TIME
 TIME International A/S
 Søndervang 3 - DK-9640 Farsø
 Phone +45 9863 2433 - Fax +45 9863 2483
 sales@TeamTIME.dk - www.TeamTIME.dk

